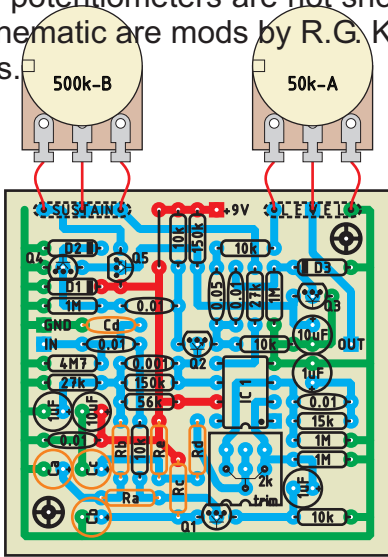
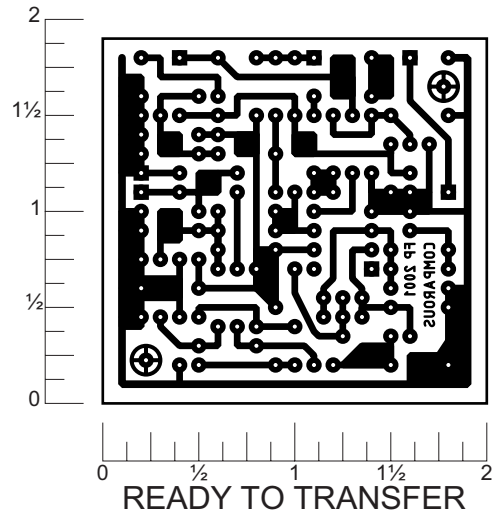


In this layout you can build either the Dynacomp or Ross compressor. These circuits are so similar that they can be constructed around the same printed circuit board. Most of the parts are common to both circuits, the ones that aren't are outlined orange on the layout, use the parts list to substitute with the values for the circuit you choose to build. Off board components except for the potentiometers are not shown on the layout. The components surrounded by dotted line on the schematic are mods by R.G. Keen <http://www.geofex.com>. Trademarks remain property of their owners.



LAYOUT



READY TO TRANSFER

### Common parts

#### Resistors

- 5 - 10k
- 4 - 1M
- 2 - 27k
- 2 - 150k
- 1 - 56k
- 1 - 4M7
- 1 - 15k

#### Transistors & ICs

- 5 - 2N3904
- IC1 - CA3080

#### Pots

- 1 - 50k log.
- 1 - 500k lin.
- 1 - 2k lin. trim

#### Capacitors

- 5 - 0.01 $\mu$ F
- 1 - 0.001 $\mu$ F
- 1 - 0.05  $\mu$ F
- 3 - 1  $\mu$ F
- 2 - 10  $\mu$ F

#### Diodes

- 3 - 1N914

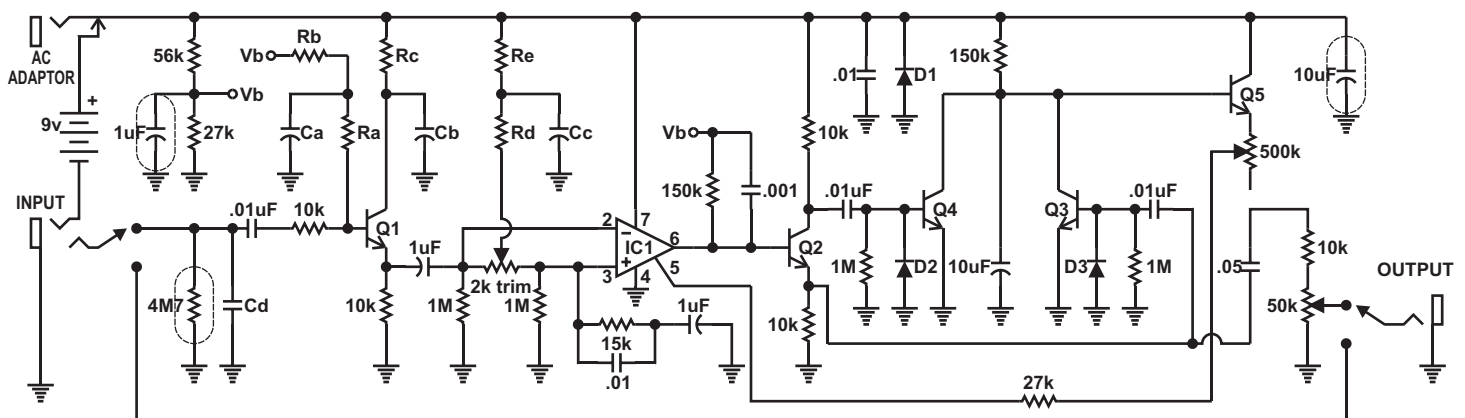
#### Dyna parts

- Ra - 1M
- Rb - Jumper
- Rc - Jumper
- Rd - Jumper
- Re - 470k
- Ca - nothing\*
- Cb - nothing\*
- Cc - nothing\*
- Cd - nothing\*
- \*Leave empty

#### Ross parts

- Ra - 470k
- Rb - 470k
- Rc - 10k
- Rd - 220k
- Re - 220k
- Ca - 1  $\mu$ F
- Cb - 1  $\mu$ F
- Cc - 1  $\mu$ F
- Cd - 220pF

### Schematic



Layout and presentation by Francisco Peña 2001 - 2004®.  
 All rights reserved. Authorization for personal use only.  
 any commercial use is forbidden.  
 Permission for posting/serving limited to  
<http://www.tonepad.com>  
 Permission refused for posting from other sites.