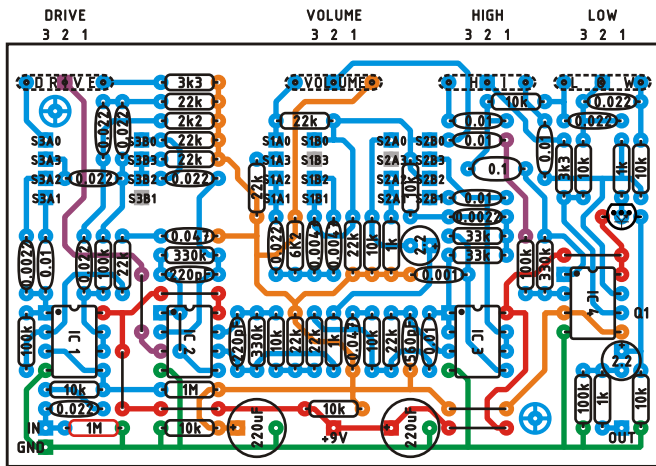
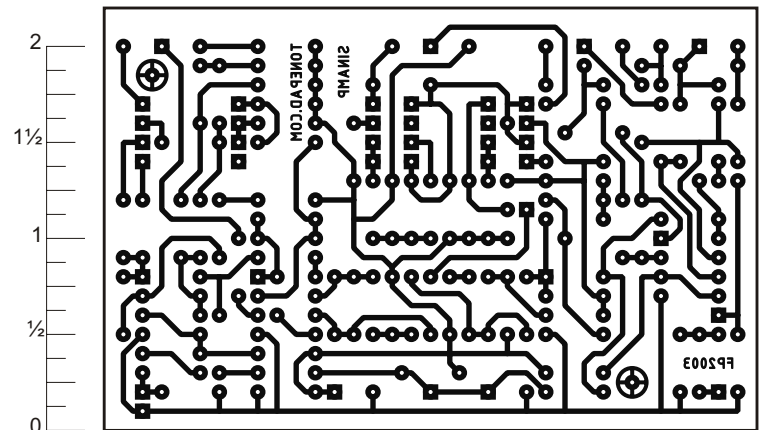


Build a Sans Amp GT2 circuit. You'll need to match the offboard wiring pads for the switches to the pinout of the actual switch you'll be using. Off board components except for the potentiometers are not shown on the layout. Trademarks remain property of their owners. Visit [www.tonepad.com](http://www.tonepad.com) for more!



LAYOUT



READY TO TRANSFER

### Parts List

#### Resistors

- 4 - 1k
- 1 - 2k2
- 2 - 3k3
- 1 - 6k2
- 11 - 10k
- 10 - 22k
- 2 - 33k
- 4 - 100k
- 3 - 330k
- 2 - 1M

#### Capacitors

- 9 - 0.022  $\mu$ F
- 2 - 0.047  $\mu$ F
- 2 - 0.0047  $\mu$ F
- 6 - 0.01  $\mu$ F
- 1 - 0.1  $\mu$ F
- 2 - 220  $\mu$ F
- 1 - 560 pF
- 2 - 220 pF
- 2 - 2.2  $\mu$ F
- 2 - 0.0022  $\mu$ F
- 1 - 0.001  $\mu$ F

#### Pots

- 4 - 100k Lin.

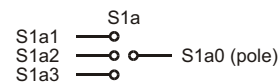
#### Transistors & ICs

- 4 - TL072
- (or other dual opamp)
- 1 - 2N5088

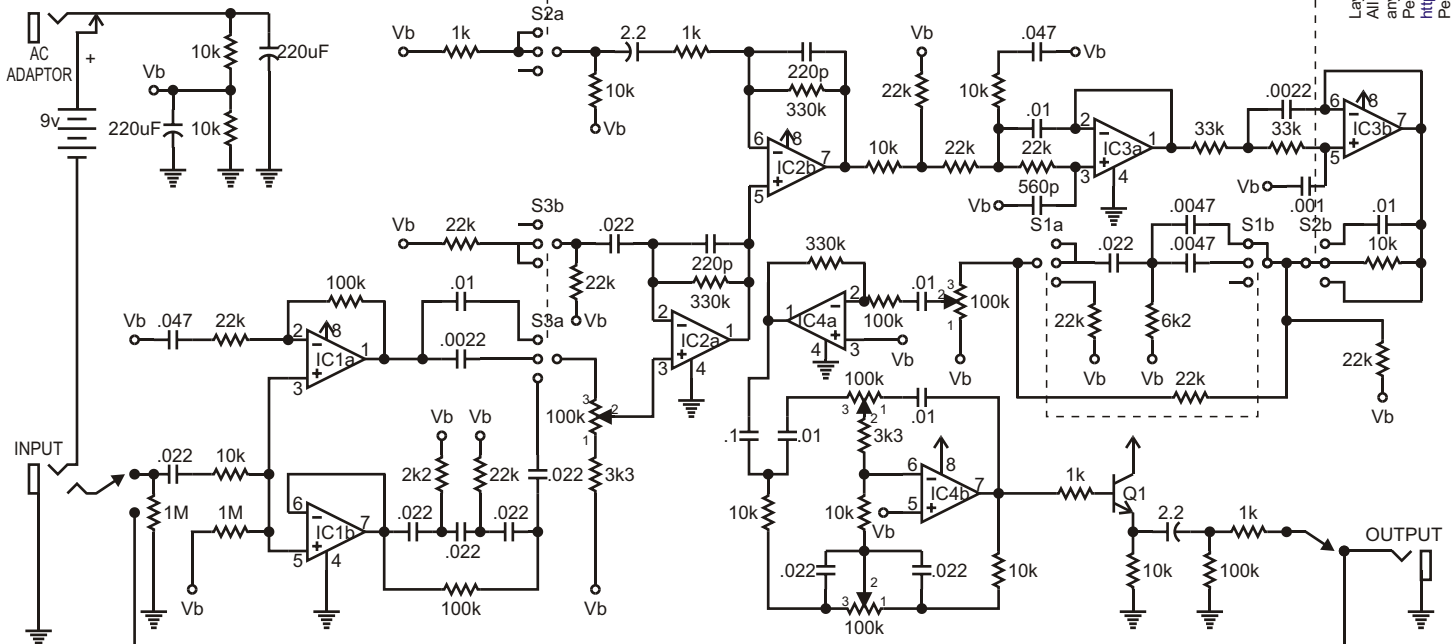
#### Switch Settings

- |                 |                 |                 |
|-----------------|-----------------|-----------------|
| <b>S1 = MIC</b> | <b>S2 = MOD</b> | <b>S3 = AMP</b> |
| 1 - Off Axis    | 1 - Hot Wired   | 1 - California  |
| 2 - Center      | 2 - Hi Gain     | 2 - British     |
| 3 - Classic     | 3 - Clean       | 3 - Tweed       |

#### Switch Wiring Example



### Schematic



Layout and presentation by Francisco Peña 2001 - 2007®.  
 All rights reserved. Authorization for personal use only.  
 any commercial use is forbidden.  
 Permission for posting/serving limited to  
<http://www.tonepad.com>  
 Permission refused for posting from other sites.