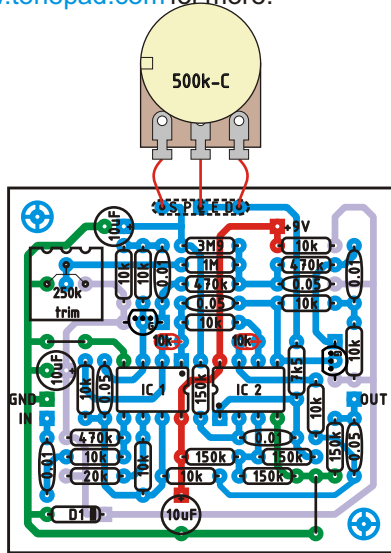
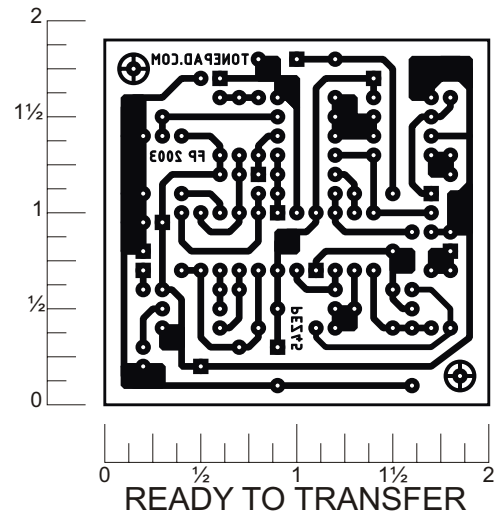


Build the Phase 45 on this board, you'll need to use matched FETs to get a better phasing sound, read the information on matching FETs at www.geofex.com. Verify FET pinout before soldering the FETs, pinout shown is for fairchild 2n5952. Off board components except for the potentiometers are not shown on the layout. Trademarks are property of their owners. Visit www.tonepad.com for more!



LAYOUT



Parts List

Resistors

- 1 - 7k5 (7.5k)
- 12 - 10k
- 1 - 20k
- 5 - 150k
- 3 - 470k
- 1 - 1M
- 1 - 3M9 (3.9M)

Capacitors

- 4 - 0.01 μ F
- 4 - 0.05 μ F
- 3 - 10 μ F

Transistors&ICs

- 2 - TL072
- 2 - 2N5952*
- * Other FETs will work

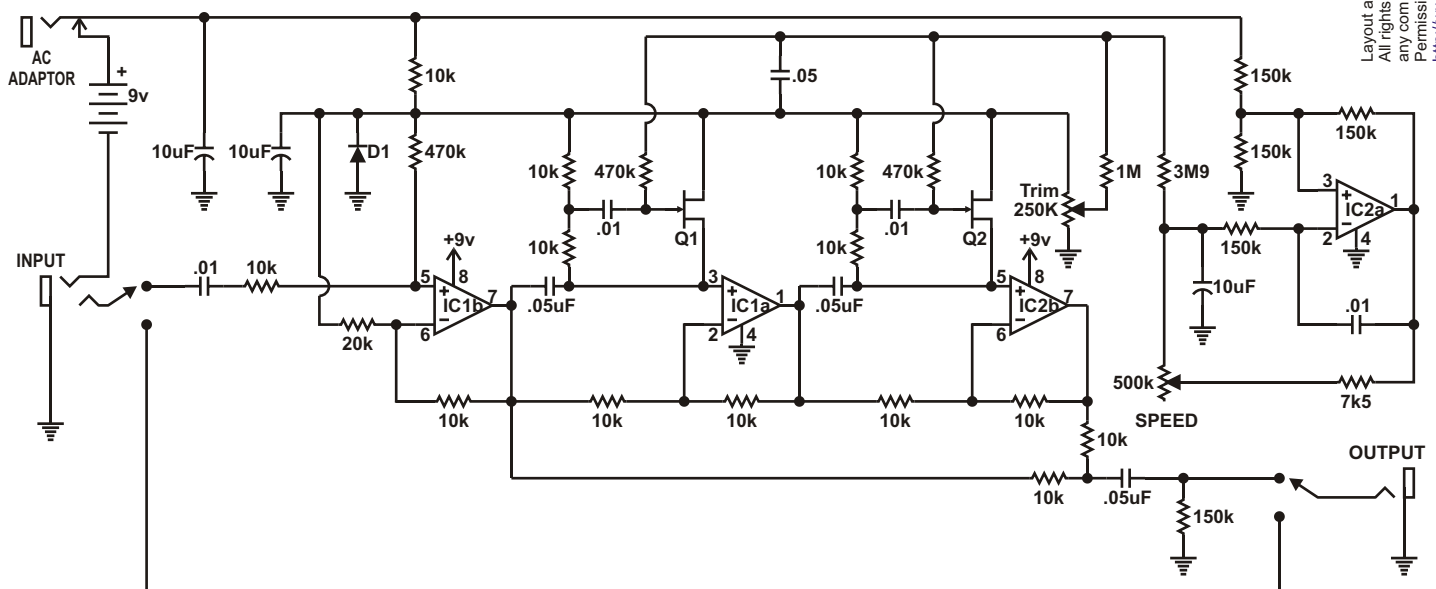
Diodes

- 1 - 1N5230 (4.7v zener)

Potentiometers

- 1 - 250k trim.
- 1 - 500k Rev. Log (or Lin.)

Schematic



Layout and presentation by Francisco Peña 2001-2007©
 All rights reserved. Authorization for personal use only,
 any commercial use is forbidden.
 Permission for posting/serving limited to
<http://www.tonepad.com>
 Permission refused for posting from other sites.